

# finesand orbital pad

the best choice for superfinishing crossed-grained wooden parts and composite materials

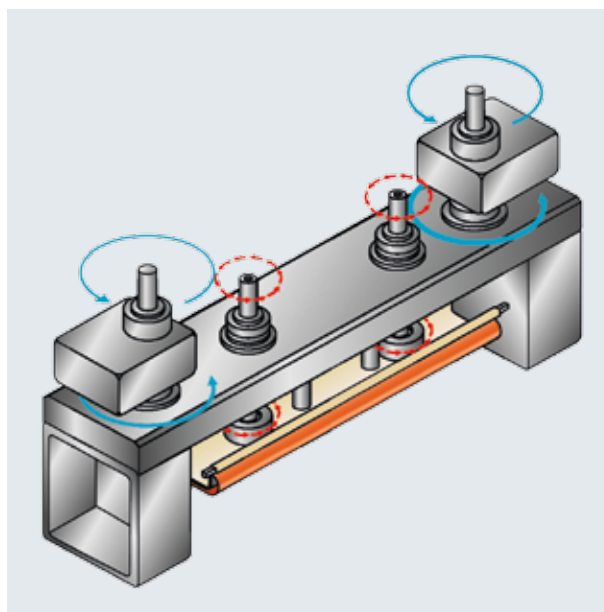


The Finesand orbital system effectively eliminates the cross grain scratches caused by longitudinal sanding belts on frames. It is the ideal solution for the superfinishing of workpieces such as kitchen cabinet doors, passage doors and window frames or any crossed-grain workpieces in general.

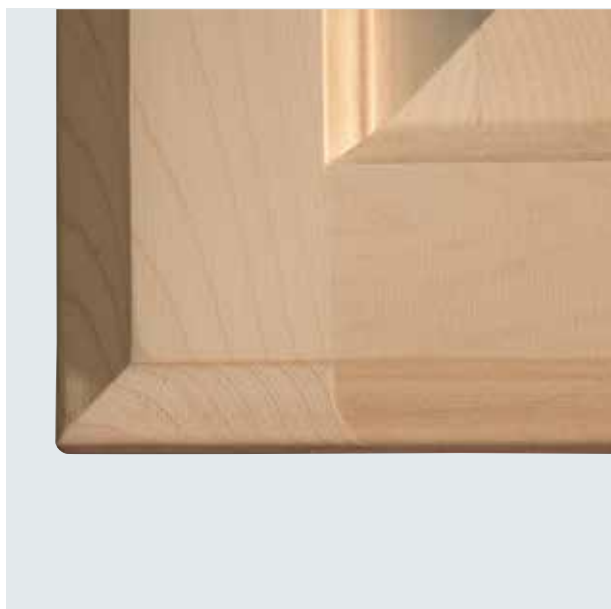


# THE BEST CHOICE FOR SUPERFINISHING CROSSED-GRAINED WOODEN PARTS AND COMPOSITE MATERIALS

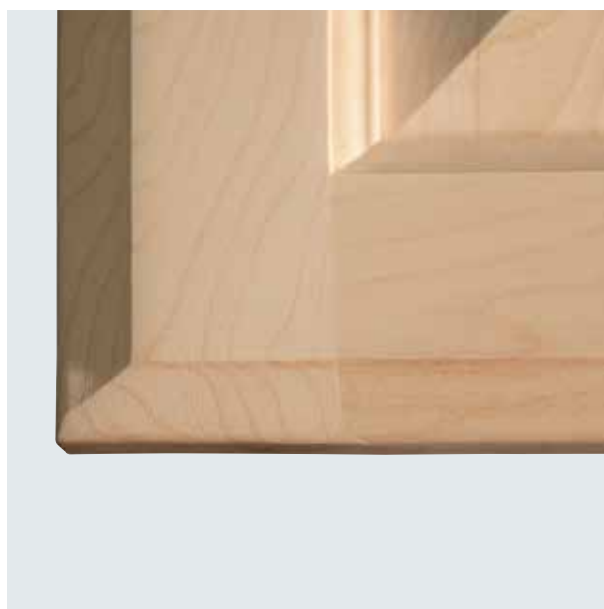
The "Finesand" unit uses a sanding pad with a very large contact area which sands the parts with a dual orbital movement. The primary orbital movement is very fast and has a tight radius while the secondary movement is slower and covers a larger radius. The primary orbital action with its tight fast orbit, eliminates cross-grain scratches through multi directional sanding movement. The secondary action, with slower, wider rotation movement creates a uniform sanding action across the entire surface area. The orbital pad on a Finesand unit effectively reproduces the same sanding action as that produced by a hand held orbital sander in the hands of an expert woodworker.



*without Finesand*



*with Finesand*



*The new Finesand unit is equipped with a system for the quick change of the abrasive. Combined with the unit side extraction rail system, maintenance and abrasive changes are fast and easy.*



REV. N. 00 - 05.2017 - MIC STUDIO - KOMMA - DIGITAL PRINT

Combining the Finesand orbital sanding with the results of other innovative working units available on DMC System machines, particularly with the Planetary unit, delivers unbeatable finishing quality result at very high production rates.



SCM GROUP SPA via Casale 450 - 47826 Villa Verucchio, Rimini - Italy  
tel. +39 0541 674111 - fax +39 0541 674274 - dmc@scmgroup.com - www.scmwood.com



00L0379787H