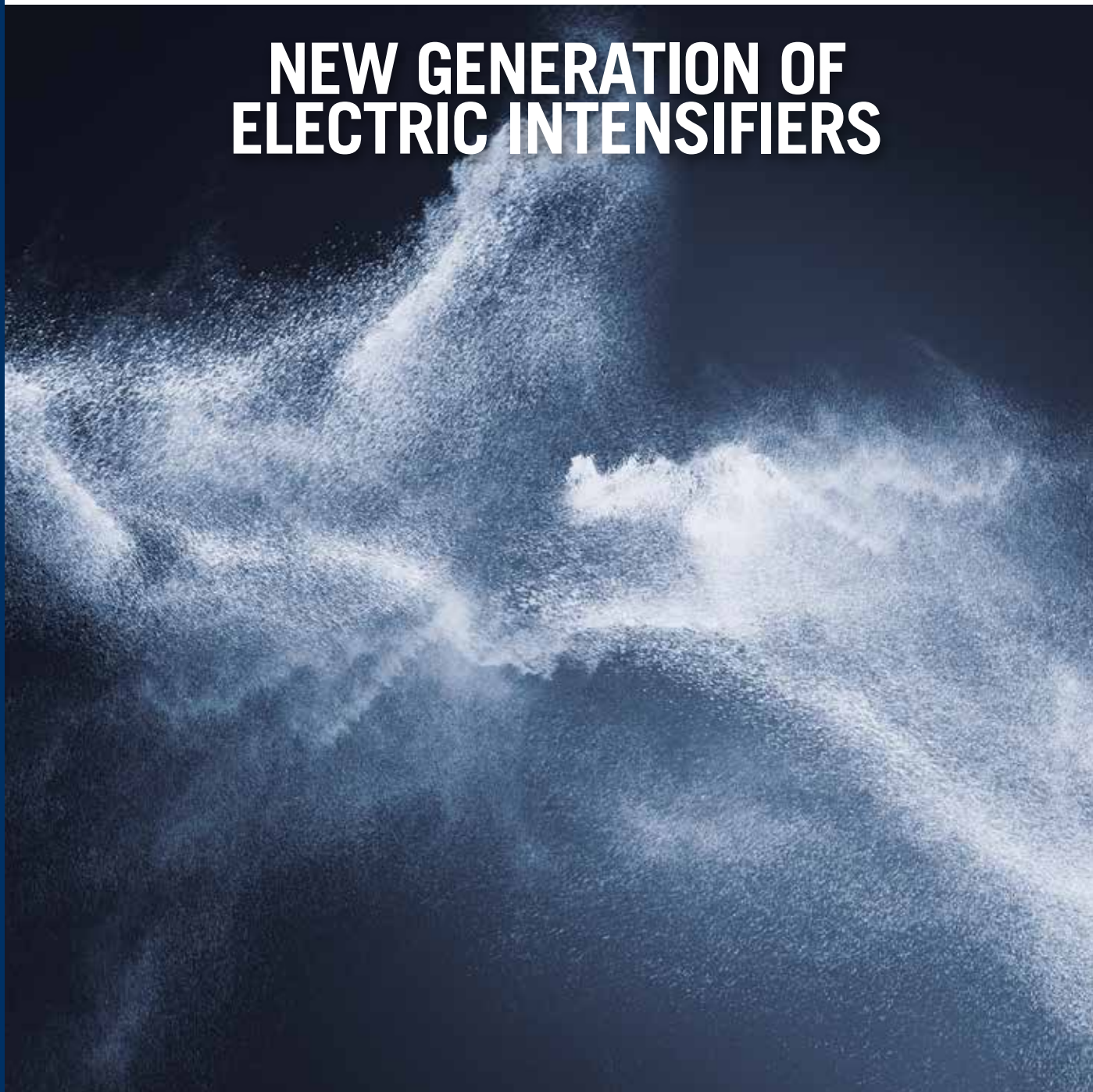


tecnocut greenjet evo

Electric intensifier

**NEW GENERATION OF
ELECTRIC INTENSIFIERS**



CMS is part of SCM Group, a technological world leader in processing a wide range of materials: wood, plastic, glass, stone, metal and composites. The Group companies, operating throughout the world, are reliable partners of leading manufacturing industries in various market sectors, including the furniture, construction, automotive, aerospace, ship-building and plastic processing industries. SCM Group coordinates, supports and develops a system of industrial excellence in 3 large highly specialized production centres employing more than 4,000 workers and operating in all 5 continents. SCM Group: the most advanced skills and know-how in the fields of industrial machinery and components.

CMS SpA manufactures machinery and systems for the machining of composite materials, carbon fibre, aluminium, light alloys, plastic, glass, stone and metals. It was established in 1969 by Mr Pietro Aceti with the aim of offering customized and state-of-the-art solutions, based on the in-depth understanding of the customer's production needs. Significant technological innovations, originating from substantial investments in research and development and take-overs of premium companies, have enabled constant growth in the various sectors of reference.



CMS Metal Technology is the brand dedicated to the production of metalworking machines and technical articles offering a wide range of complete water-jet cutting systems, pressure intensifiers and dry or wet deburring and satin finishing machines. Since the 90's, thanks to the acquisition of Tecnocut and constant internal developments, **CMS Metal Technology** has been able to gain high international prestige, boasting more than 1,500 installations worldwide. CMS Metal Technology is the reliable partner of leading industries in various sectors such as automotive, aerospace, machining, furniture and industrial architecture.



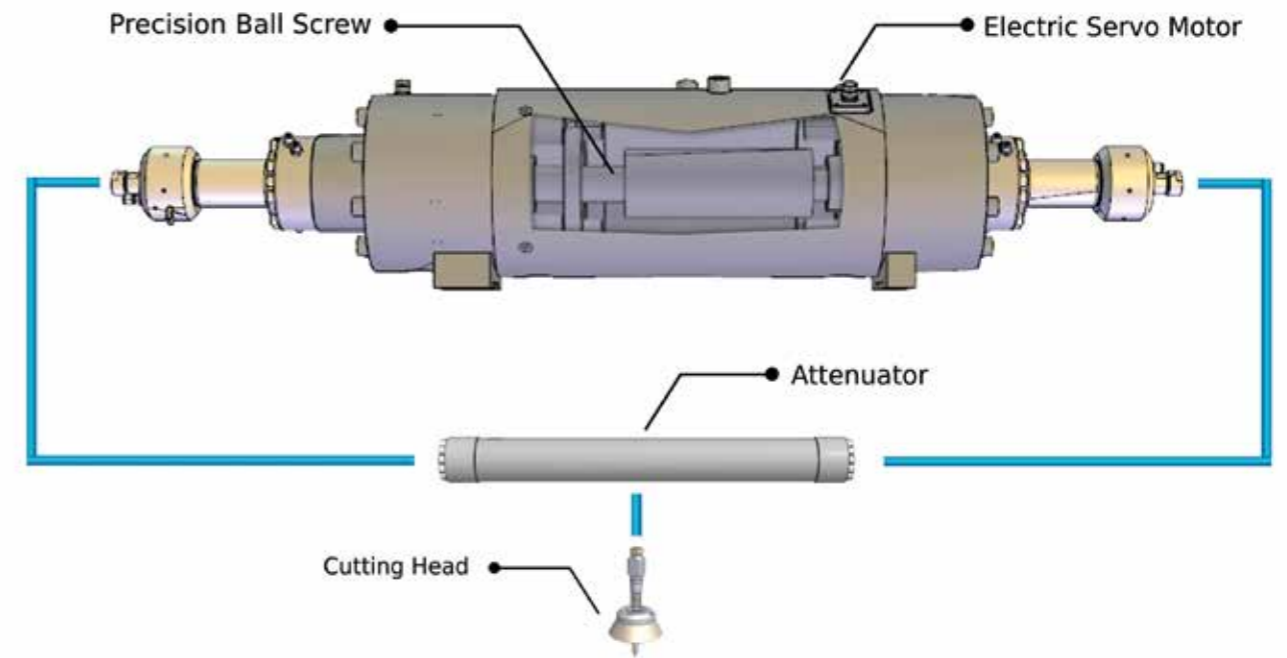
tecnocut greenjet evo

ELECTRIC PRESSURE INTENSIFIER	4-5
TECHNOLOGICAL BENEFITS	6-7
TECNOCUT GREENJET EVO	8-9
TECNOCUT GREENJET EVO	10-11

TECNOCUT GREENJET EVO

ELECTRIC PRESSURE INTENSIFIER

NEW GENERATION OF ELECTRIC INTENSIFIERS



Tecnocut Greenjet Evo is a groundbreaking, highly efficient electric pump. A top-performance torque servomotor supplies a very high-pressure level while removing the hydraulic unit and up to 80% of components compared to a traditional hydraulic intensifier. Tecnocut Greenjet Evo is equipped with one electrically driven actuator and two high-pressure opposed cylinders. Such solution with an electric actuator delivers an extremely constant pressure level, a monitoring of the pressurization cycle and an efficiency at least 30% higher than hydraulic intensifiers.

TECHNICAL COMPARISON				
PRESSURE INTENSIFIER				
MODEL	PRESSURE	MAX WATER FLOW RATE	MAX POWER CONSUMPTION	POWER CONSUMPTION WITH HEAD CLOSED
Hydraulic	4139 bar	5 L / min	47 kw	14 kw
Electric	4139 bar	5 L / min	34 kw -30%	3 kw -80%

TECNOCUT GREENJET EVO



GREEN

-30%
- 30% power consumption

+60%
+ 60% efficiency

No high pressure oil

Less noisy

-80%
-80% structural components which results in reduced maintenance



Excellent cutting quality thanks to extremely constant pressure signal

On-Board Control

Cutting with 4150 Bar or 6200 Bar pressures

Compatible with any waterjet machine

Electric cabinet air conditioner not necessary

JET

LLG (Long Life Gasket)

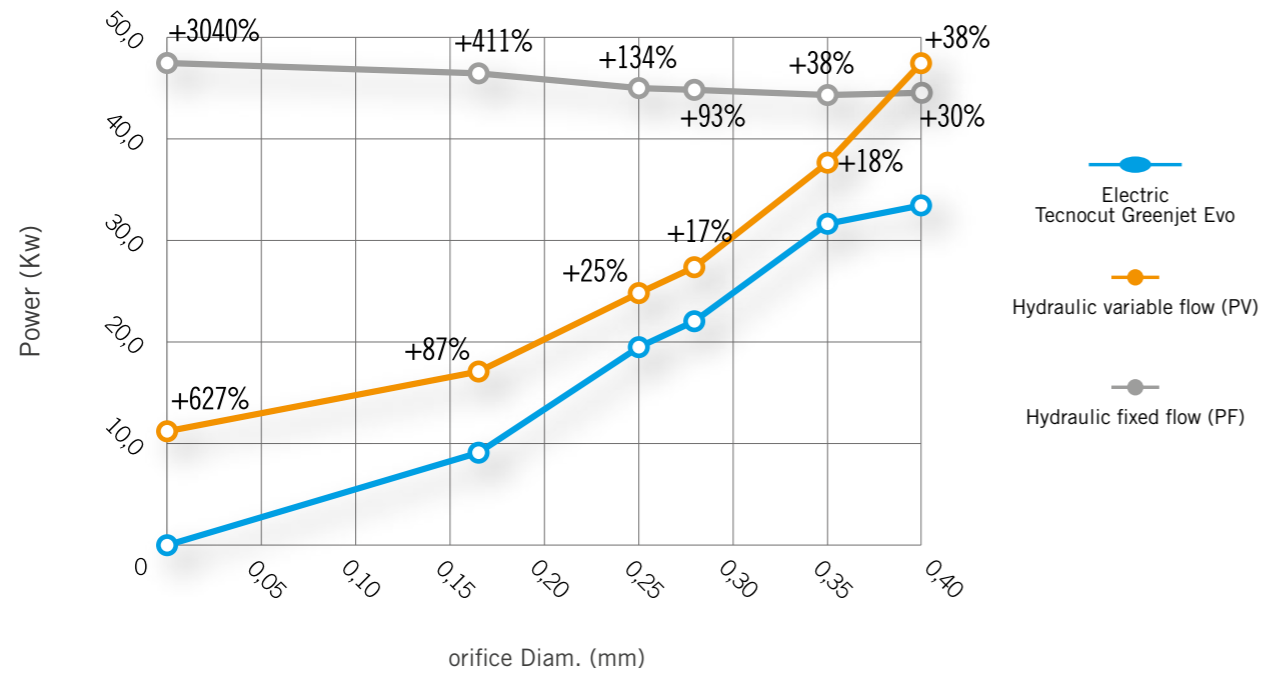
TECNOCUT GREENJET EVO

ELECTRIC PRESSURE INTENSIFIER

THE HIGHEST EFFICIENCY
THE LOWEST CONSUMPTION

HIGH EFFICIENCY WITH MAXIMUM ENERGY SAVING

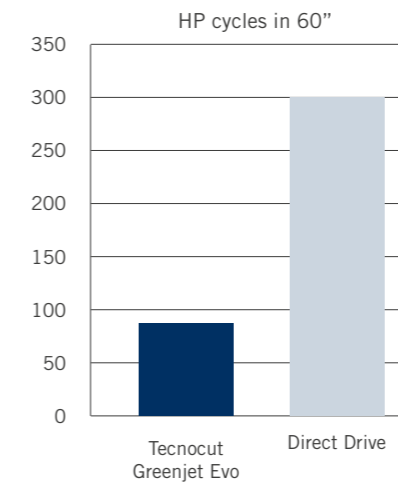
Low-impact environmental technology with at least 30% fewer energy consumption and with 60% more efficiency than the traditional intensifiers and with a very quiet operation.



Tecnocut Greenjet Evo



Direct Drive



REDUCED MAINTENANCE

The Tecnocut Greenjet Evo maintenance is significantly reduced compared to other (Direct Drive) electromechanical systems because of the 80% fewer structural components and the 70% reduction of cycles/min.

INTENSIFIER CONSUMPTION 4139 BAR: ELECTRIC VS HYDRAULIC

ORIFICES (MM)	ELECTRIC GREENJET EVO (KW)	HYDRAULIC VARIABLE FLOW (PV) (KW)	HYDRAULIC FIXED FLOW (PF) (KW)	POWER CONSUMPTION PV VS GREENJET (%)	POWER CONSUMPTION PF VS GREENJET (%)
0,40	34,0	47,0	44,3	38	30
0,35	32,0	37,8	44,2	18	38
0,28	23,4	27,4	45,2	17	93
0,25	19,4	24,3	45,3	25	134
0,17	9,0	16,8	46,0	87	411
0,0	1,5	10,9	47,1	627	3040

REDUCTION OF ENVIRONMENTAL IMPACT

-240 L OF OIL EVERY 2000 HOURS

The electrically driven actuator leads to a 94% fewer oil consumption than conventional intensifiers, saving up to 240 L of oil every 2000 hours, not to mention the diminished costs for waste oil disposal.

NOISE REDUCTION

The electric actuator is significantly quieter than hydraulic systems.

BOOSTER PUMP

Integrated booster pump for water supply (min 1 bar at 25 L/min)

TECNOCUT GREENJET EVO

TECNOCUT GREENJET EVO

ELECTRIC PRESSURE INTENSIFIER

UNPARALLELED
IN TERMS OF PERFORMANCES
AND FLEXIBILITY

COMPATIBLE WITH ANY CUTTING TABLE MANUFACTURED BY CMS OR OTHER COMPANIES

Tecnocut Greenjet Evo can be installed on any cutting table manufactured by CMS or other companies. The machine can be controlled directly from the pump with the 17" touch screen monitor.



LLG (LONG LIFE GASKET)

Increased lifetime of high-pressure gaskets thanks to the dedicated cooling system.



"PURE ELECTRIC" INTENSIFIER ON MOBILE CART

The innovative base structure of Tecnocut Proline means up to two high pressure 4150 bar and 6200 bar electric actuators can be integrated which dramatically reduces plant installation times and loss of pressure typical of high-pressure traces located on the ground. The chamber can be fully removed and fitted with internal lighting to make it easier to carry out maintenance work on the high-pressure circuit. Furthermore, the presence of a control panel with touch display allows for fast and instant on-board diagnostics.

ELECTRIC CABINET AIR COOLING

The cooling of the electric cabinet is not required except for the pumps installed in hot-weather countries (opt).

ELECTRIC INTENSIFIER ONBOARD THE CROSSBEAM

On tecnocut aquatec, the Greenjet evo actuator and high-pressure circuit can be installed directly onboard the X-axis crossbeam. The solution avoids losing about 2 bar per meter of high-pressure pipe interfacing between the intensifier on the floor and the cutting head. The solution also enables reducing the installation layout of the system. (optional)



PRESSURE INTENSIFIERS			
MODEL		TECNOCUT GREENJET EVO 4139 SA	TECNOCUT GREENJET EVO 6200 SA
POWER	kw	34	34
MULTIPLIERS	nr	2	2
MAX WATER PRESSURE	bar	4139	6200
MAX WATER PRESSURE	L / min	5	2,5
MAX DIAMETER ORIFICES	mm	0,4	0,25
VOLTAGE		400V +/- 5% 50-60 HZ (Different voltages and frequencies on request)	

TECNOCUT GREENJET EVO



C.M.S. SPA
via A. Locatelli, 123 - 24019 Zogno (BG) - IT
Tel. +39 0345 64111
info@cms.it
cms.it

a company of **scm**group